



for use with copper tube size CPVC pipe and fittings up to 2" diameter



WELD-ON® FlowGuard Gold® Solvent Cement				
Stock Number	Can Size / Packaging	Units / Case	Lbs / Case	
11025	Gallon Metal can with screw top (no applicator)	6	56	
11026	Quart Metal can with applicator top	12	29	
11027	Pint Metal can with applicator top	12	15	
11028	Half-Pint Metal can with applicator top	24	16	
11029	Quarter-Pint Metal can with applicator top	24	8	

for use with iron pipe size CPVC pipe and fittings up to 12" diameter



WELD-ON® P-70™ Purple Primer				
Stock Number	Can Size / Packaging	Units / Case	Lbs / Case	
10221	Gallon Metal can with screw top (no applicator)	6	49	
10223	Quart Metal can with applicator top	12	26	
10225	Pint Metal can with applicator top	12	13	
10227	Half-Pint Metal can with applicator top	24	14	
10229	Quarter-Pint Metal can with applicator top	24	7	



WELD-ON® CPVC 714™ Orange Solvent Cement				
Stock Number	Can Size / Packaging	Units / Case	Lbs / Case	
10130	Gallon Metal can with screw top (no applicator)	6	55	
10132	Quart Metal can with applicator top	12	29	
10135	Pint Metal can with applicator top	12	14	
10137	Half-Pint Metal can with applicator top	24	15	

Corzan® and FlowGuard Gold® are registered trademarks of The Lubrizol Corporation. Pipe photos are a courtesy of Lubrizol Advanced Materials, Inc. DISCLAIMER: Since specific use, materials and product handling are not controlled by Weld-On Adhesives, Inc., our warranty is limited to the replacement of defective Weld-On® product.



Weld-On Adhesives, Inc. - a subsidiary of IPS Corporation  
 455 W. Victoria Street, Compton, CA 90220 U.S.A.  
 Tel: 310.898.3300 • Fax: 310.898.3392  
 Customer Service: 800.888.8312  
 www.weldon.com  
 Lit. #230109 © 2012 IPS VPD 04-2012



# WELD-ON® LOW VOC CPVC SOLVENT CEMENTS

your best solution to joining CPVC piping systems for residential and commercial water distribution applications



CORZAN



**CPVC piping systems are THE preferred choice** by contractors for **hot and cold water distribution applications** for residential and commercial projects due to their durability, cost efficiency, and performance. Likewise, **WELD-ON® Low VOC solvent cements are THE preferred choice** for joining CPVC pipes due to their **proven formulations** for use with copper tube size and iron pipe size CPVC piping systems and **exceptional chemical bonding properties** leading to strong pipe joints. WELD-ON® products meet ASTM D-2846, F-493, and F-656 standards for solvent welding CPVC pipes and are listed for potable water use by and .

## EASY ONE STEP

**solvent welding  
copper tube size (CTS) CPVC pipe**

Only a one-step solvent welding process is required to join copper tube size CPVC pipe and fittings unless the use of primer is specified by the local plumbing code.



**WELD-ON® FlowGuard Gold®  
Solvent Cement - the right choice**

- Formulated for the FlowGuard Gold® CPVC piping systems with interference fit up to CTS 2-inch diameter
- Applicable for use in potable water distribution systems, hot and cold, up to 180°F
- Color coded yellow for identifying one-step CTS CPVC pipe joints without the use of primer
- Fast setting for quick installation time
- Excellent viscosity
- Low VOC emission to the environment

## CONVENIENT TWO STEP

**solvent welding  
iron pipe size (IPS) CPVC pipe**

According to applicable plumbing codes, CPVC pipe and fittings are required to be primed with a purple primer before being joined by an orange color solvent cement.



**WELD-ON® offers the perfect combination of primer and solvent cement for iron pipe size CPVC pipe and fittings.**

**WELD-ON® P-70™ Purple Primer**

- Suitable for use with all types, classes and schedules of IPS CPVC pipe and fittings
- Penetrates aggressively and rapidly, making it ideal for softening CPVC plastic surfaces
- Assists in making strong, consistent, well-bonded joints when properly applied
- Temperature friendly, can be used in hot and cold weather
- Water-like consistency
- Distinctly colored purple for ease of inspection per local plumbing code
- Low VOC emission to the environment

## CTS to IPS CPVC Pipe Transition

When the FlowGuard Gold® and Corzan® CPVC piping systems are used together, it is important to use the right solvent cements at the CTS / IPS CPVC pipe transition.

Failure to do so can result in weak, improper joints that do not meet the plumbing code requirement.

### One Step

- **Solvent weld** CTS pipe end and CTS/IPS transition bushing (on the CTS side) with Weld-On® FlowGuard Gold® Solvent Cement.\*#

### Two Step

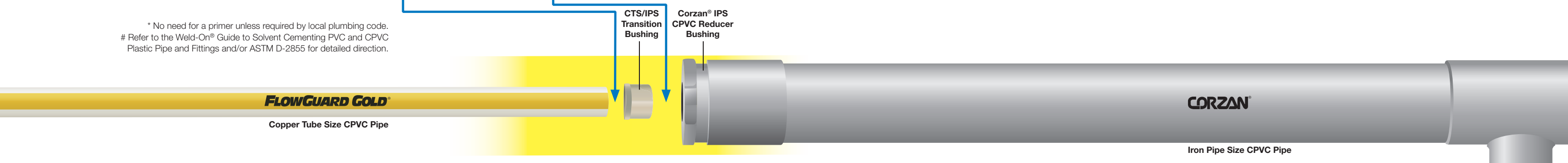
- **Prime** and soften the surfaces of CTS / IPS transition bushing (on the IPS side) and IPS reducer bushing with Weld-On® P-70™ Purple Primer.
- **Solvent weld** the bushings with Weld-On® CPVC 714™ Orange Solvent cement.#  
(Repeat both steps when joining IPS reducer bushing to IPS pipe.)



**WELD-ON® 714™ Orange Solvent Cement**

- Formulated for Corzan® and other CPVC pipe and fittings with interference fit to IPS 12-inch diameter, all classes and schedules including Schedule 80
- Applicable for use in potable water distribution systems, hot and cold, up to 180°F
- Medium set time allowing proper bonding of large diameter pipe joints
- Heavy-bodied, good for gap filling
- Color coded orange for identifying IPS CPVC-specific solvent welded joints
- Low VOC emission to the environment

\* No need for a primer unless required by local plumbing code.  
# Refer to the Weld-On® Guide to Solvent Cementing PVC and CPVC Plastic Pipe and Fittings and/or ASTM D-2855 for detailed direction.



**CORZAN**

Iron Pipe Size CPVC Pipe